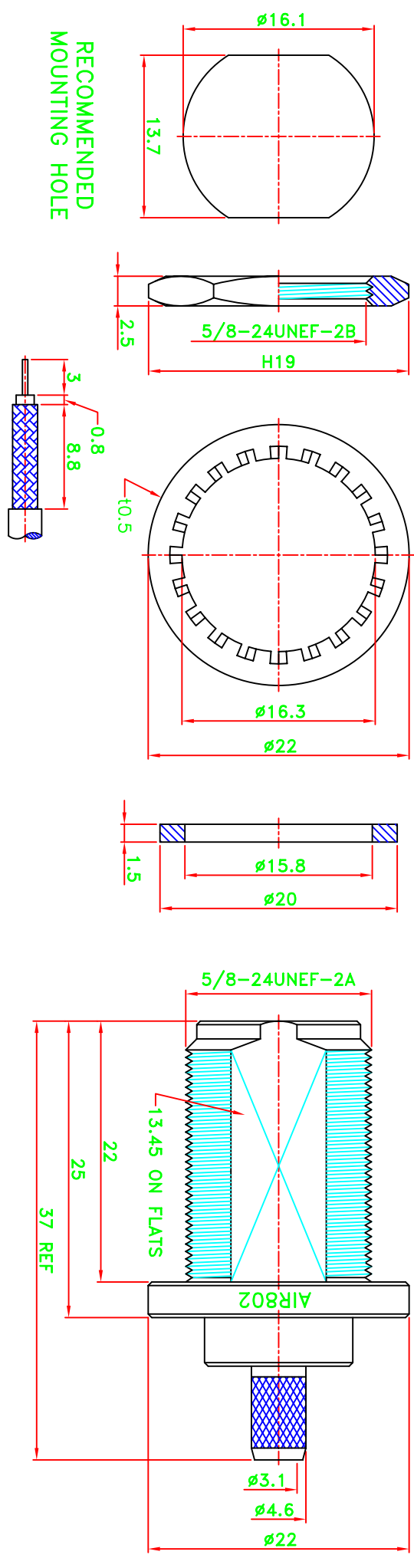


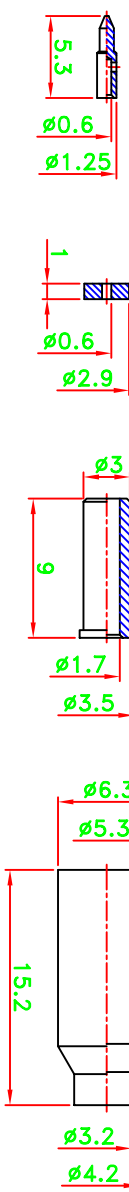
REV	DESCRIPTION \ PER REQUEST	DRAWN	DATE

CRIMP SIZES REQUIRED
CONTACT: SOLDER
FERRULE: .213[5.4mm] ; .137[3.48mm]



RECOMMENDED MOUNTING HOLE

RECOMMENDED CABLE STRIPPING DIM'S



NOTES:
1. UNLESS OTHERWISE SPECIFIED ALL DIMENSIONS ARE IN MM.
2. ALL SPECIFICATIONS ARE SUBJECT TO CHANGE WITHOUT NOTICE

STAMP: AIR802

NO	Description	Qty	Material	Finish
11	Nut	1	Brass	Nickel
10	Washer	1	Brass	Nickel
9	Gasket	1	Si-rubber	Red
8	Ferrule	1	Brass	Nickel
7	Ferrule	1	Brass	Nickel
6	Press fit ferrule stud	1	Brass	Nickel
5	Dielectric	1	Teflon	None
4	Dielectric	1	Teflon	None
3	Pin	1	Brass	Gold
2	Pin	1	Phos Bronze	Gold
1	Body	1	Brass	Nickel

PART NO. CN1NFB

APPROVED M. BRYANT DATE 08/19/10

CHECKED DATE 08/19/10

DRAWN WEN DATE 08/19/10

* MAJOR DIMENSION

UNLESS OTHERWISE NOTED TOLERANCES

0.5-6 = ±0.2
6-30 = ±0.4
30-120 = ±0.6
120-315 = ±1.0
ANGLES = ±1°

AIR802 LLC

TITLE N BULKHEAD CRIMP JACK

DRAWING NO. N-1112-L2-TGN

REV A

FILE NO. W:\DWG\COMPOSE\N\N-1112-L2-TGN DIANA->20100819

SCALE 2/1 UNIT mm