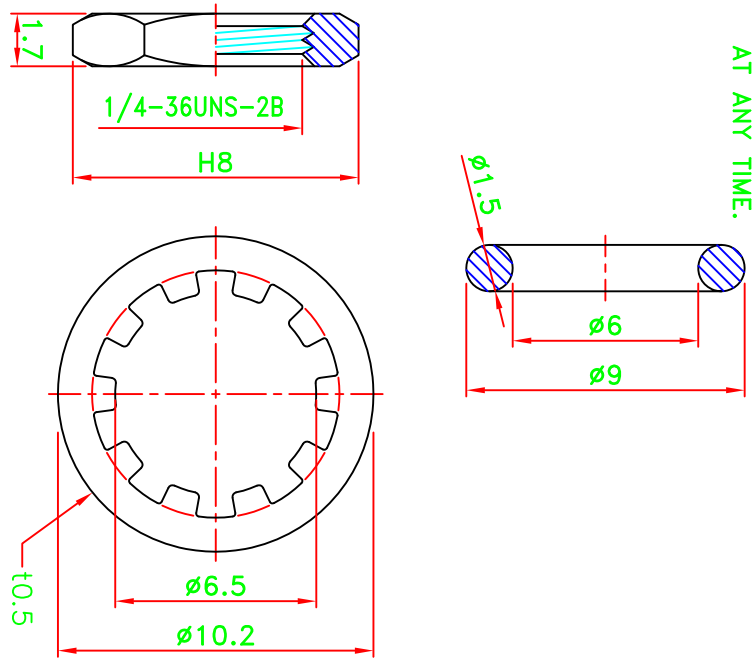


REV	DESCRIPTION\PER REQUEST	DRAWN	DATE

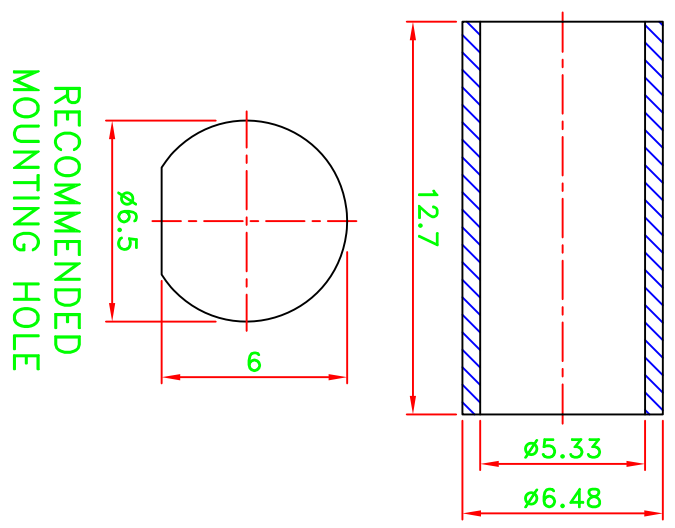
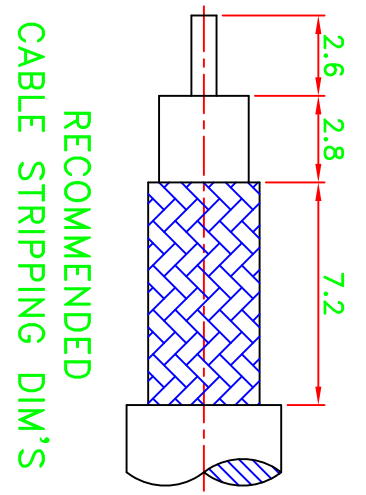
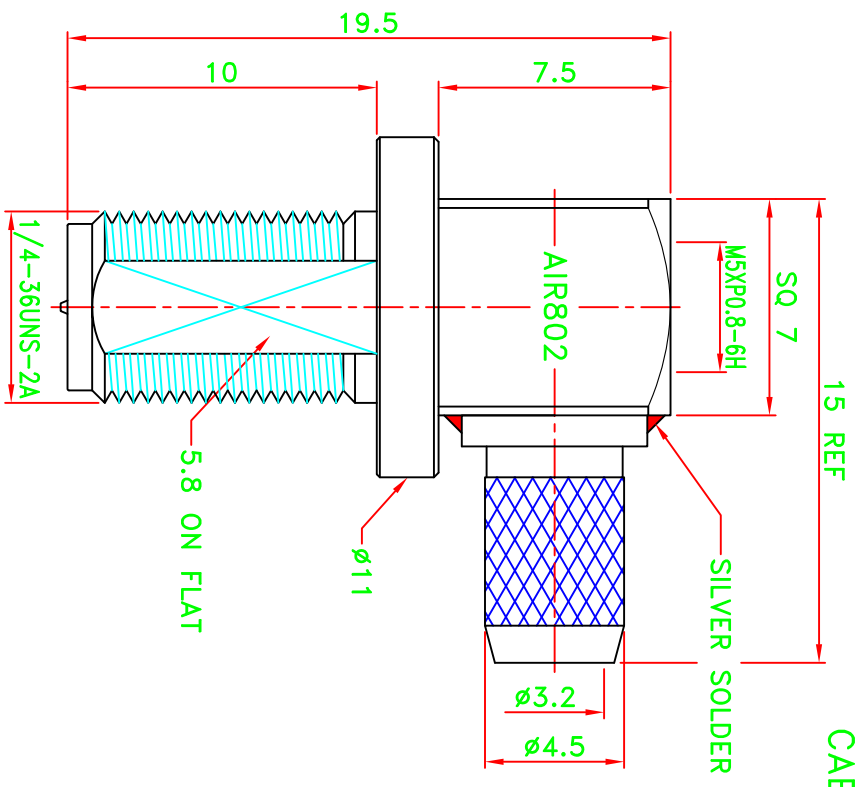
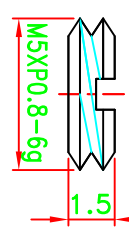
NOTES:  
 1. UNLESS OTHERWISE SPECIFIED ALL DIMENSIONS ARE IN MM.  
 2. ALL SPECIFICATIONS ARE SUBJECT TO CHANGE WITHOUT NOTICE.

RECOMMENDED CRIMP SIZE:  
 CONTACT PIN: SOLDER  
 FERRULE: HEX .213"[5.41mm]



STAMP: AIR802

NO	DESCRIPTION/DRAWING NO.	Q'TY	MATERIAL	FINISH
8	NUT	1	BRASS	GOLD
7	WASHER	1	BRASS	GOLD
6	"O"RING	1	RUBBER	BLACK
5	SCREW	1	BRASS	GOLD
4	FERRULE	1	COPPER	GOLD
3	INSULATOR	1	PTFE	NATURAL
2	PIN	1	BRASS	GOLD
1	ASSEMBLY	1	BRASS	GOLD



70C00R300-001-C

AIR802

PART NO.	CN2RSJBRA	* MAJOR DIMENSION	UNLESS OTHERWISE NOTED TOLERANCES	TITLE	SMA R/A R/P BULKHEAD CRIMP JACK
APPROVED	M. Bryant	DATE	05/22/19	DRAWING NO.	ASSMA-10408-F-RP-TGG
CHECKED		DATE	05/22/19	FILE NO.	W:\P\AS\ASSMA\ASSMA-10408-F-RP-TGG AIR802->20190522
DRAWN	Wen	DATE	05/22/19	SCALE	4/1
		UNIT	mm		

REV	A