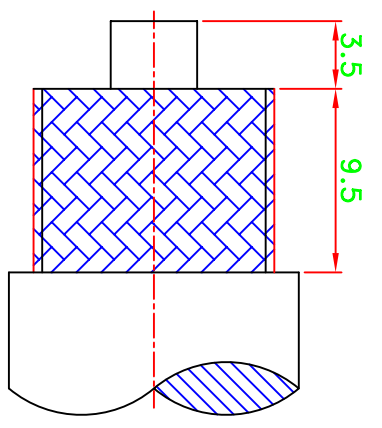
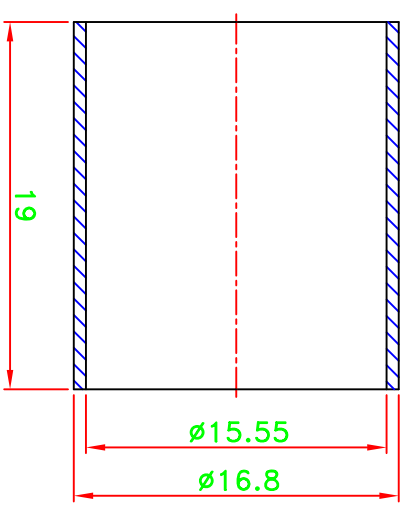
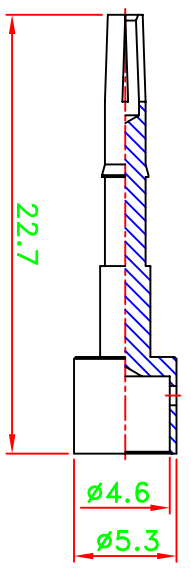
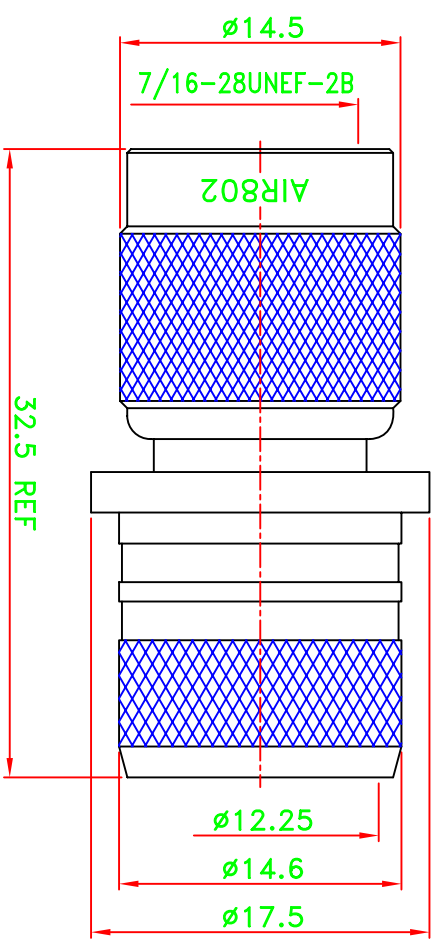


REV	DESCRIPTION \ PER REQUEST	DRAWN	DATE

CRIMP SIZES REQUIRED
CONTACT: .178" [4.52mm] OR SOLDER
FERRULE: .61" [15.494mm]



RECOMMENDED
CABLE STRIPPING DIM'S



NOTES:
1. UNLESS OTHERWISE SPECIFIED ALL DIMENSIONS ARE IN MM.
2. ALL SPECIFICATIONS ARE SUBJECT TO CHANGE WITHOUT NOTICE.

STAMP: AIR802

NO	Description	Qty	Material	Finish
9	Ferrule	1	Brass	Nickel
8	Shell	1	Brass	Nickel
7	Gasket	1	Rubber	Red
6	Retaining ring	1	SK-5	Nickel
5	Washer	1	Brass	Nickel
4	Dielectric	1	Delrin	None
3	Dielectric	1	Teflon	None
2	Pin	1	Brass	Gold
1	Body	1	Brass	Nickel

PART NO.	CN6RTP
APPROVED	M. Bryant
CHECKED	
DRAWN	WIN
DATE	01/12/11
DATE	01/12/11
DATE	01/12/11
SCALE	5/2
UNIT	mm

AIR802 LLC

TITLE	DRAWING NO.	REV
TNC REVERSE POLARITY CRIMP PLUG	ASTNC-15138-V-RP-TGN	A
FILE NO.	W:\ASTNC\ASTNC-15138-V-RP-TGN	DIANA->20110114